



**DITEL: PRODUCTS: DIGITAL STARS: 731SXY09**



[Print this page](#)

## DESCRIPTION

Model 731S panel indicators are specific instruments that readout and control linear or rotational rates from tachometric dynamos with the most common standard scales.

Fully configured at the factory upon request, it is possible to adapt later the scale to any V/rpm ratio by means of internal plug-in jumpers.

Zero, span adjustment and decimal point location are accessible from the front through the lens of the meter.

Power and signal connection is realized by means of a 6-pin MAT-N-LOK AMP connector located at the rear of the unit.

These indicators are available in 700 or 7000 series. The latter provides one analog setpoint that can be made to operate within two modes of ON/OFF commutation and switching hysteresis.

## SELECTION GUIDE

	731	S	X	Y	0	9
<b>PRESET/RELAY</b>						
NO SETPOINT (Series 700)	0					
1 SETPOINT (Series 7000)	4					
<b>INPUT</b>						
10V/1000rpm			1			
30V/1000rpm			2			
40V/1000rpm			3			
60V/1000rpm			4			
120V/1000rpm			5			
220V/1000rpm			6			
440V/1000rpm			7			
UPON REQUEST			9			
<b>SUPPLY POWER</b>						
115V 50/60Hz				1		

230V 50/60Hz			2		
12V DC ISOLATED			4		
24V 50/60Hz			7		
24V DC ISOLATED			8		
<b>SILKSCREENED UNIT</b>					

## ORDERING EXEMPLE

**7314 5209 D63** : Dynamo indicator Series 7000 Power Supply: 230V AC (50/60Hz) Input 120V/1000rpm. Unit: rpm 1 analogic setpoint option

## SPECIFICATION

### INPUT SIGNAL

- Configuration differential asymmetrical
- Maximum applicable voltage 1000V
- Input impedance 1Mohm
- Common mode max. voltage (signal/power)
- Power AC : 1000V DC ó 1500V ACpp
- Power DC : ± 400V DC

### POWER

- Supply voltages
- AC (50/60Hz) : 24, 115, 230V AC
- DC (isolated) : 12, 24V DC
- Maximum isolation 1000V DC or 1500V ACpp
- Consumption 4W nominal

### ACCURACY

- Resolution 0.05% F.S.
- Maximum error 0.1% F.S. ± 1 digit

### DISPLAY

- Type red LED (0.4") 10mm. high
- Input range selectable by jumper
- Display range potentiometer adjustable
- Decimal point selectable by jumper
- A/D conversion technique dual slope
- Reading rate 3 per second

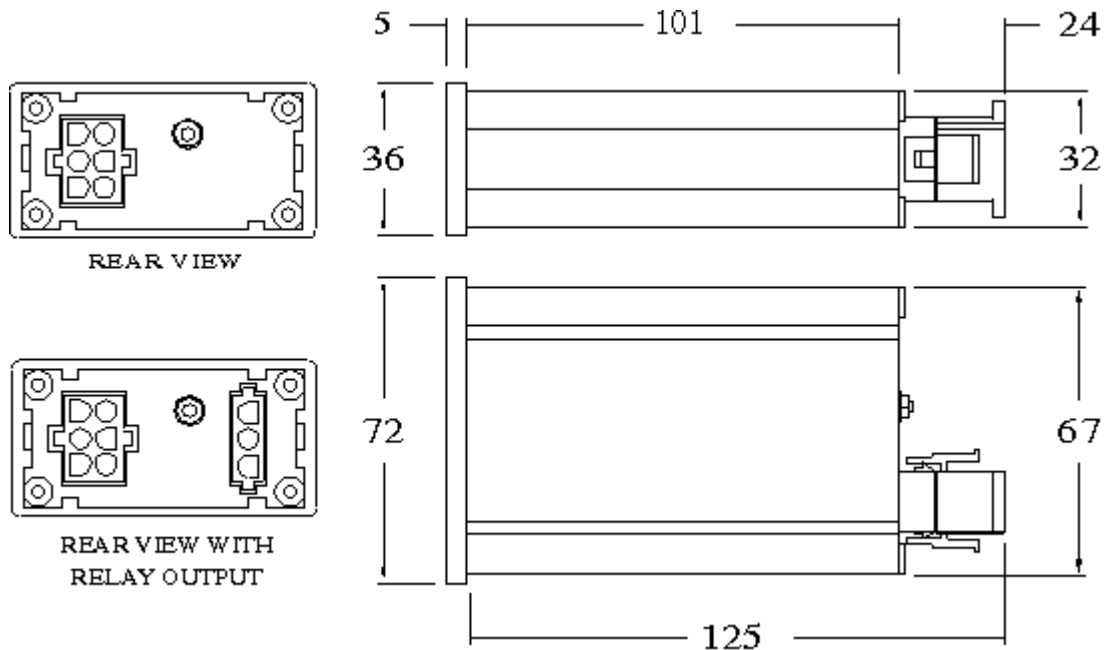
### ENVIROMENTAL

- Operating temperature 0° to 50°C
- Storage temperature -25° to +85°C
- Relative humidity max. 95% (non condensing)
- Weight 310g
- Dimensions 72x36x110mm. (s/DIN 43700)
- Panel cutout 68x33mm. (s/DIN 43700)
- Case material 94 V-0 UL-rated polycarbonate

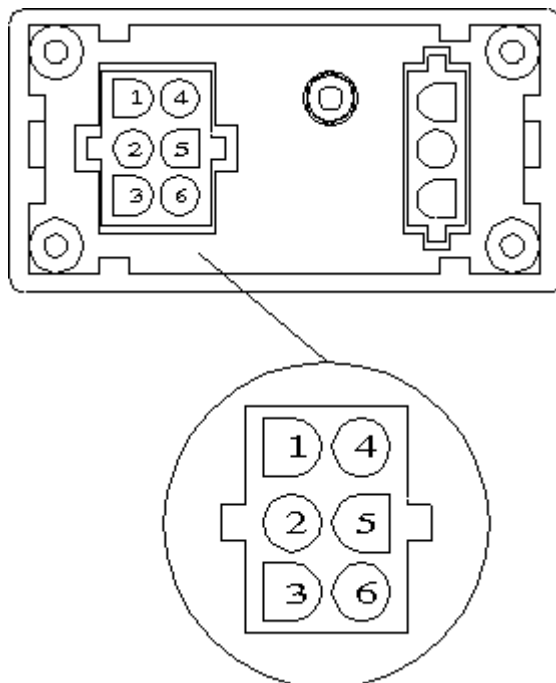
**OPTIONS (SERIE 7000)**

- 1 front panel screwdriver-adjustable setpoint with two modes of ON/OFF control and switching hysteresis. SPDT relay (8A @ 250VAC or 8A @ 40VDC).

**DIMENSIONS (mm)**



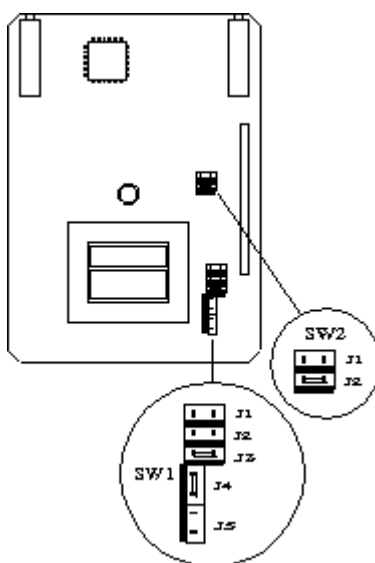
**SIGNAL AND POWER CONNECTIONS**



Input signal	
PIN 1	Spare
PIN 2	Input signal (+)
PIN 3	Input signal (-)

AC power supply	
PIN 4	AC HI
PIN 5	Spare
PIN 6	AC LO (neutral)
DC Power supply	
PIN 4	DC positive (+)
PIN 5	Spare
PIN 6	DC Negative (-)

### SCALING

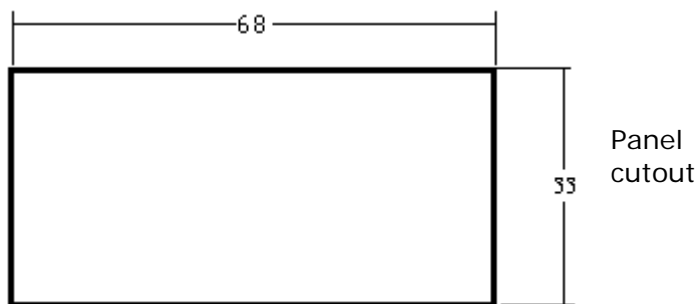


INPUT	SW1	SW2
440V/1000rpm	J3	
220V/1000rpm	J3	J2
120V/1000rpm	J5, J4, J2	
60V/1000rpm	J5, J4, J2	J2
40V/1000rpm	J5, J4, J2	J1
30V/1000rpm	J5, J4, J1	
10V/1000rpm	J5, J4, J1	J1

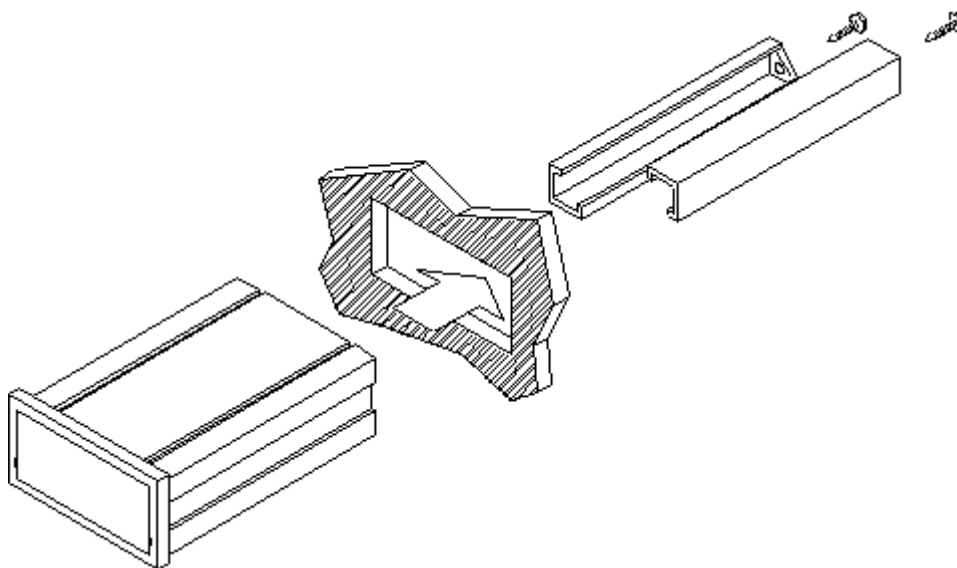
For input ratios different from those listed in the table, perform the jumper setting corresponding to the standard the most approximate.

After input selection, adjust the zero and the span potentiometers (covering the whole range from 0 to +1999) to obtain the required display reading and set the decimal point to the proper position.

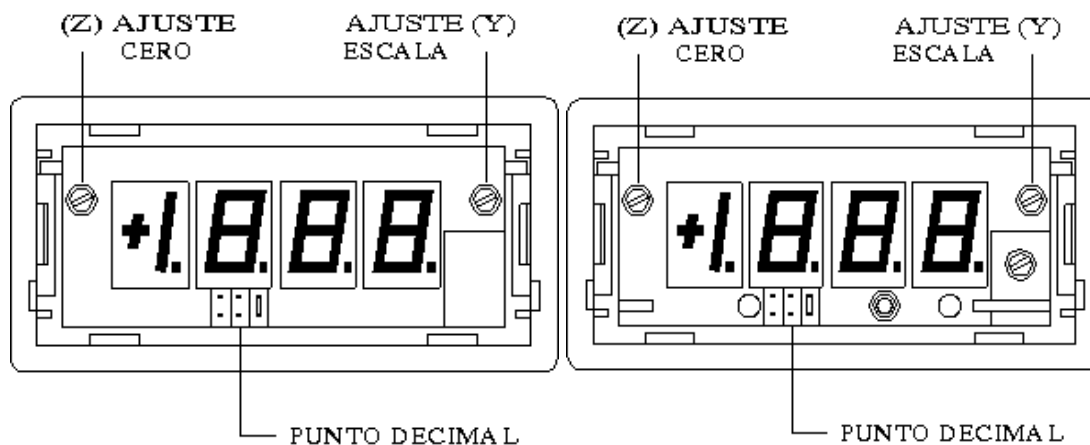
### MOUNTING



Min.thickness: 0.8mm  
Max.thickness: 10mm



### SETUP AND CALIBRATION



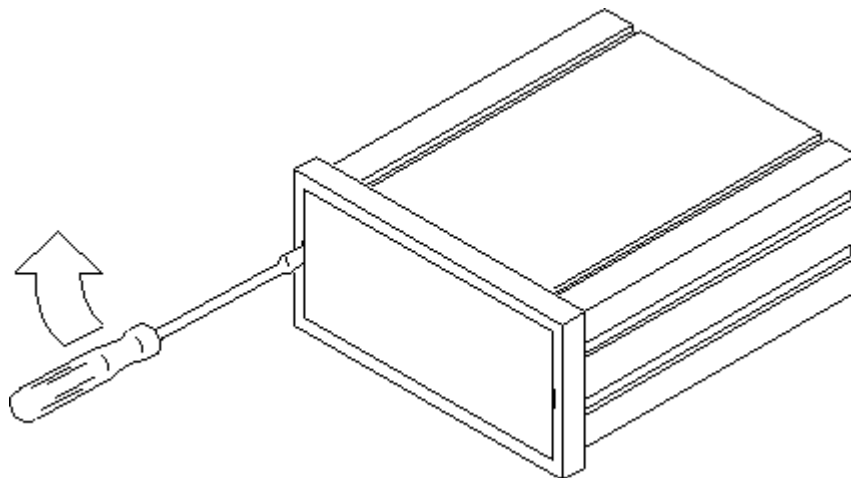
Retirando el cristal polarizador se tiene acceso al ajuste de cero y de fondo de escala y a la ubicación del punto decimal.

Colocar el puente adecuado según la posición del punto decimal deseada.

jumper	Display
A	1.999
B	19.99
C	199.9

none	1999
------	------

## ACCESS TO CONFIGURATIONS



Remove lens by placing an appropriate sized screwdriver in the slot and pushing laterally until the lips disengage. Unscrew the rear nut to lift the circuits out from the front of the case.

To reinstall lens, insert it completely from one side and press from the other until it is perfectly fitted.

### **Warranty:**

Press the icon to see it.



[Change language](#) | [Back to the menu](#)

